

① **Block Plan**
Scale: 1:500



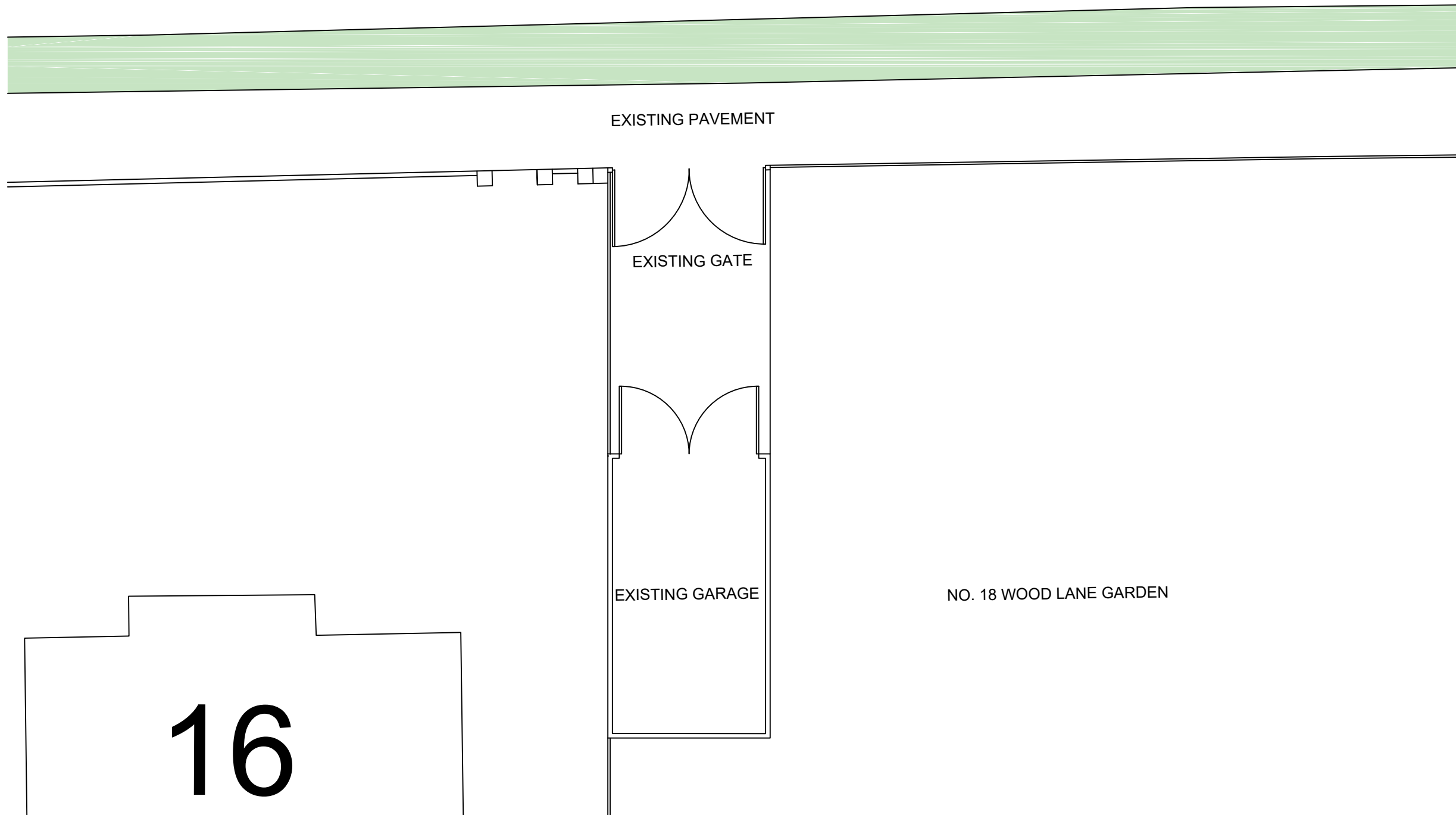
Ordnance Survey, (c) Crown Copyright 2022. All rights reserved. Licence number 100022432

② **Location Plan**
Scale: 1:1250

— CLIENT OWNED LAND


PROJECT:	18 Wood Lane Close, Iver, SL0 0LH		
CLIENT:	Mr Dhillon		
DRAWING:	Location & Block Plan		
SCALE:	As Indicated @A3	DRAWN:	AS
DATE:	Dec 2022	CHECKED:	AS
DRAWING NO:	22012-00-DR-A-SP01	REV:	P01

WOOD LANE CLOSE



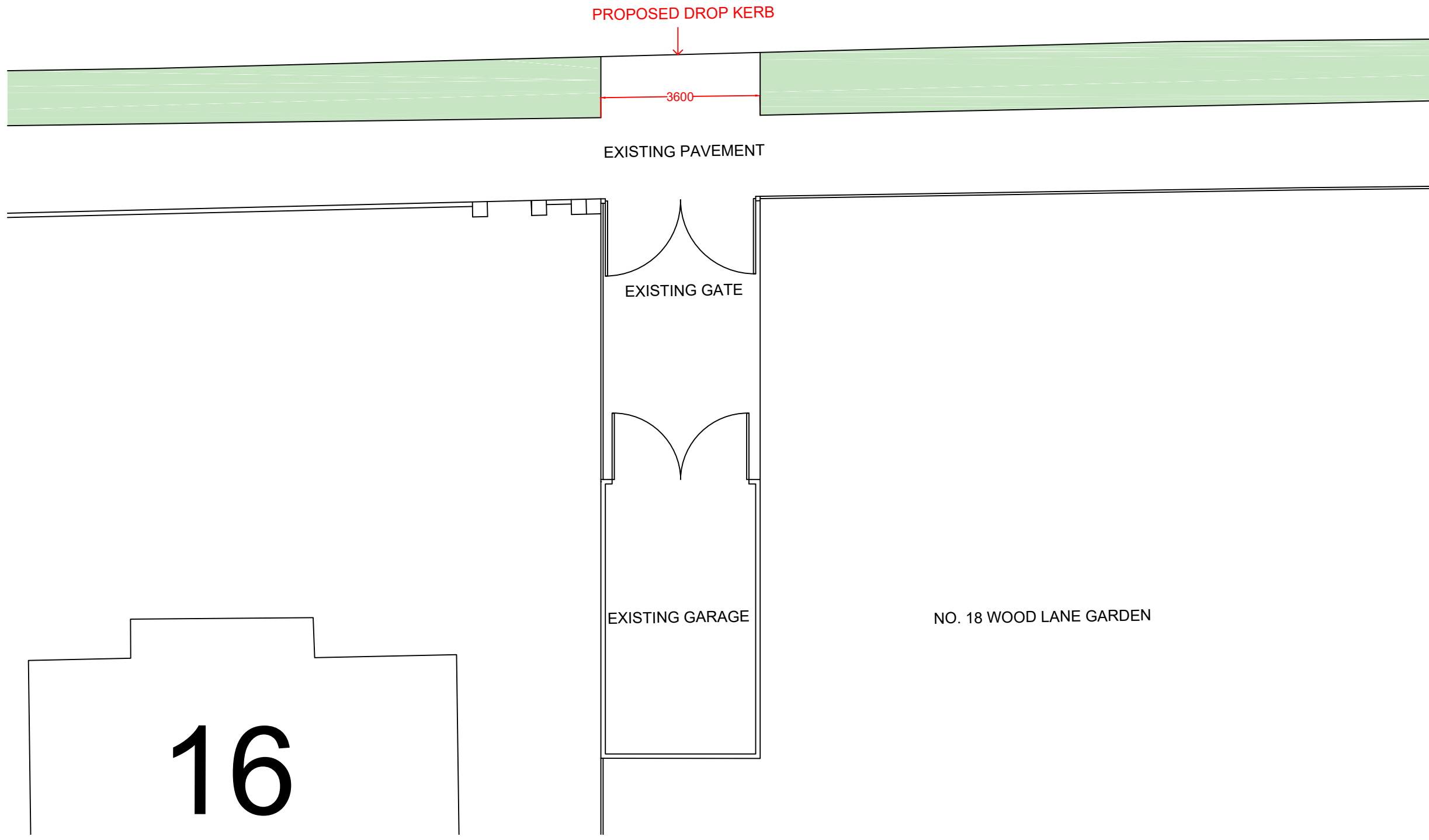
① Existing Site Plan
Scale: 1:100

0 1 2 3 4m
scale 1:100





PROJECT:	18 Wood Lane Close, Iver, SL0 0LH		
CLIENT:	Mr Dhillon		
DRAWING:	Existing Site Plan		
SCALE:	1:100@A3	DRAWN:	AS
DATE:	Dec 2022	CHECKED:	AS
DRAWING NO:	22012-ZZ-DR-A-FP01	REV:	P01

WOOD LANE CLOSE



1 Proposed Site Plan
Scale: 1:100

 scale 1:100			
PROJECT:	18 Wood Lane Close, Iver, SL0 0LH		
CLIENT:	Mr Dhillon		
DRAWING:	Proposed Site Plan		
SCALE:	1:100@A3	DRAWN:	AS
DATE:	Dec 2022	CHECKED:	AS
DRAWING NO:	22012-ZZ-DR-A-FP02	REV:	P01